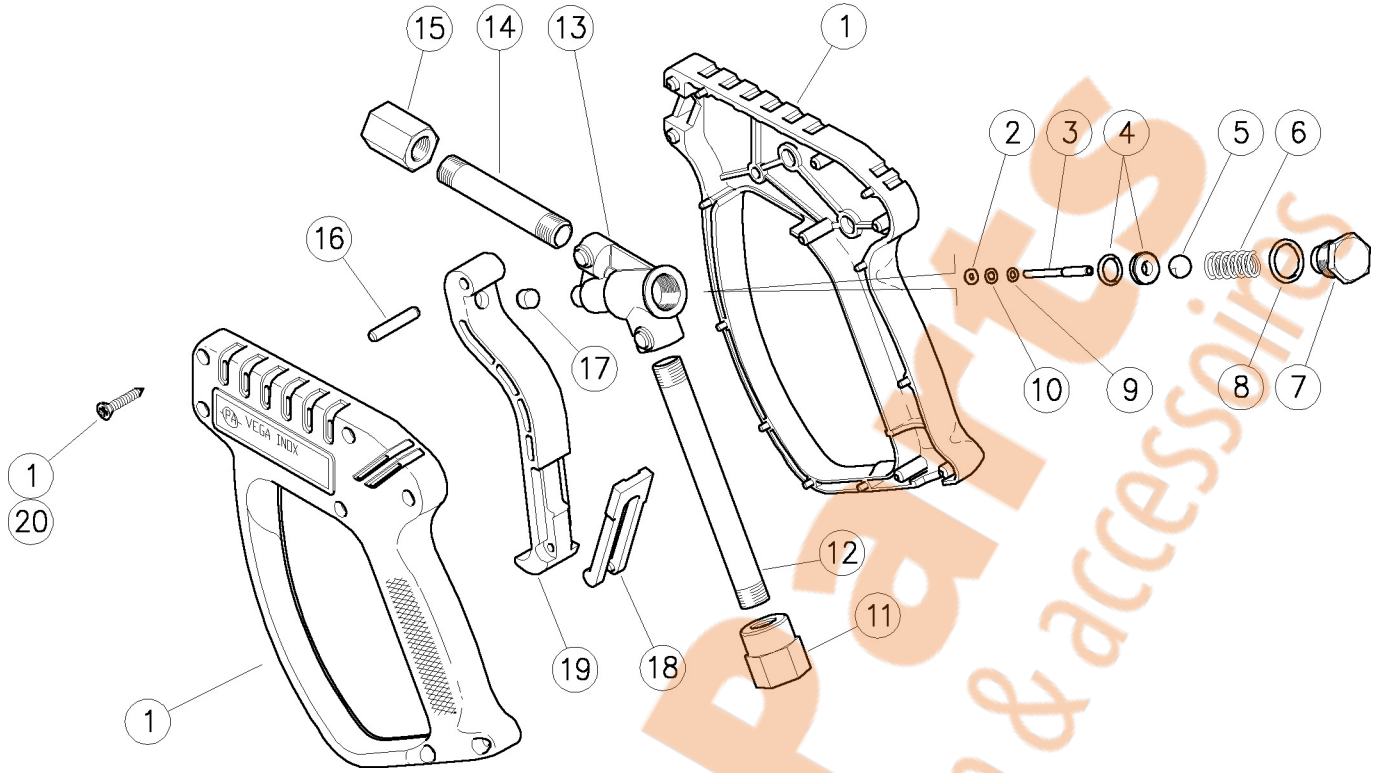


30.3150.00 Vega Inox spr.gun,sst 3/8F-1/4F Bsp

30.3150.50 Vega Inox spr.gun,sst 3/8F-1/4F Npt



Pos.	P/N	Description	Q.ty	K1	K2	K3	K4	Pos.	P/N	Description	Q.ty	K1	K2	K3	K4	
1	30.3157.24	Casing-kit -VEGA inox +screws, Sst.	1					1	30.3156.51R	Coupl., 1/4F Bspt-3/8F Npt Sst. (1)	1				5	
2	10.4018.00R	Back-up ring, 3,2x7,5x1,2 mm	1	•				10	30.3154.56R	Tube, 1/4Bspt MM 127mm Sst.	1				5	
3	30.2516.51R	Piston, 3 mm Sst.	1	•				10	30.3152.55R	Housing -VEGA, Sst.	1				3	
4	30.2014.20R	Seat, 6mm Sst.+O-ring 1,78mm	1	•				10	30.3153.56R	Tube, 1/4Bspt MM 70mm Sst.	1				5	
5	14.7443.10R	Ball, 11/32" Sst.	1	•				10	30.2009.51R	Coupling, 1/4F Bsp-1/4F Bspt Sst.	1				5	
6	30.3054.51R	Spring, 1,6x9,7x22 mm Sst.	1	•				10	30.2037.51R	Coupling, 1/4F Npt-1/4F Bspt Sst. (1)	1				5	
7	30.3053.51R	Plug, M16x1 M Sst.	1					5	16	30.2517.31R	Parallel pin, 5x27,5 mm brass	1				10
8	10.3064.01R	RO-ring, 1,78x14 mm Ni 85	1	•				10	17	30.0675.84R	Stop pin, 8x7,1mm PA	1				10
9	14.3511.00R	Washer, 3,2x7x0,5 mm sst.	1					10	18	30.1510.84R	Safety latch, PA red	1				10
10	10.3165.00R	RO-ring, 2,62x2,84 mm Vi 70	1	•				10	19	30.2506.84R	Trigger -RL31, PA black	1				10
11	30.3155.51R	Coupl., 1/4F Bspt-3/8F Bsp Sst.	1					5	20	16.3075.51R	S/tapping scr. 3,5x18 mm sst.	7				10

Kit	P/N	Description	Q.ty
K1	30.2528.24	Spares kit -VEGA inox - RL31 7x1pcs.	1

(1) 30.3150.50